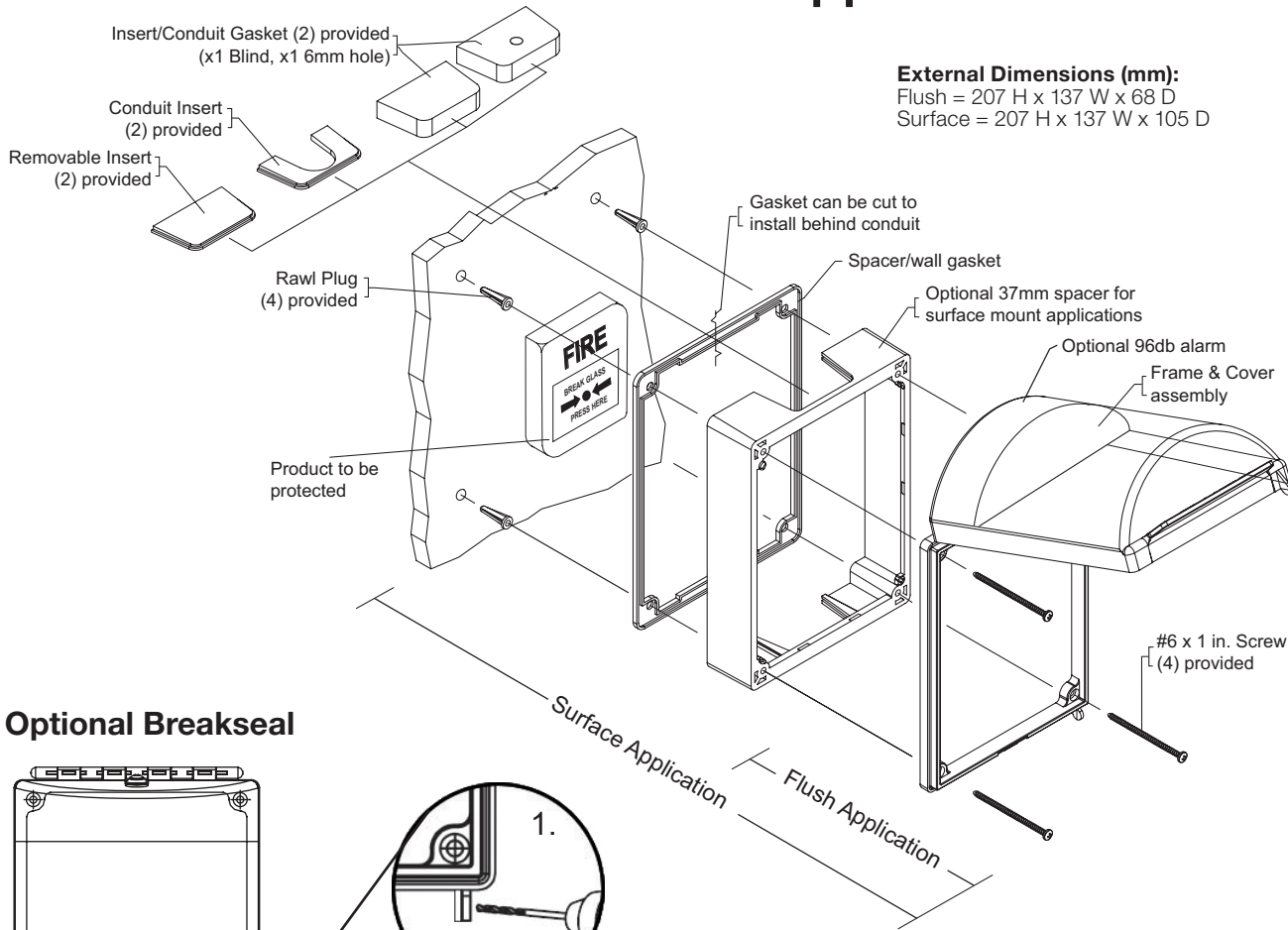
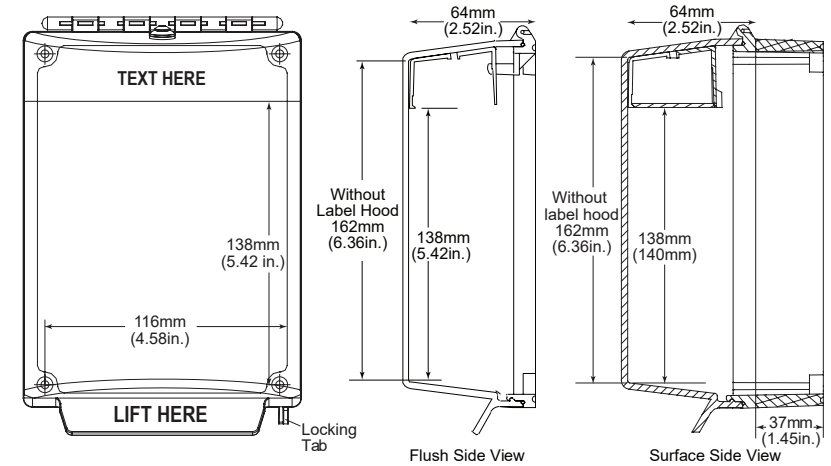


STI13120EG STI Universal Stopper



External Dimensions (mm):
 Flush = 207 H x 137 W x 68 D
 Surface = 207 H x 137 W x 105 D



PRODUCT DIMENSIONS

INSTALLATION NOTES

Before drilling mounting holes place spacer, frame and cover over your device. Position it so all aspects of device function properly and cover closes with no interference. If covering a manual call point (MCP) ensure to allow sufficient clearance for re-setting & maintenance.

1. Mark the position for the 4 fixing screws. Drill the holes using a 6mm masonry drill bit and fit the Universal Stopper with wall fixings provided.
2. If using a Surface mounted spacer, please note that it provides cable entry facilities, for conduit, cable and trunking. A 37mm depth spacer is supplied as standard.
3. Where the weather gasket is required, position this between the spacer (surface) and the wall.
4. Ensure the servicing pin is removed from the alarm unit on those fitted with an integral sounder. The pin should be retained in the event any maintenance is carried out.

Three year warranty or a one year limited warranty (from date of purchase) on most products. See website for details. Electronic warranty form at www.sti-usa.com/wc14.

Universal Stopper Accessories	
STI-1331	37mm Spacer
STI-6602	Sounder Conversion Kit
KIT-EA135	Servicing Pin
STI/BS	Breakseals (Quantity. 10)

Installation Tools Required:
1. 6mm Masonry Drill Bit
2. Philips Head Screw Driver

Replacing the battery (STI-13000 Series with Sounder)

To replace the 9V PP3 battery in the alarm unit, insert the servicing pin, remove the two screws on the underside of the alarm unit and replace battery. Reassemble ensuring to remove the servicing pin. The pin should always be retained.

Optional Breakseal

